

# Technical Data Sheet

PLUS  PACK

Signature:

Date:

Article No.:

Article name:

## Material Data

Material:



(Ref. our materialguide on <http://www.pluspack.com>)

(The aluminium foil contains a food approved lubricate, the amount is depending on the shape and complexity of the container.)

Color:

Inside coating:

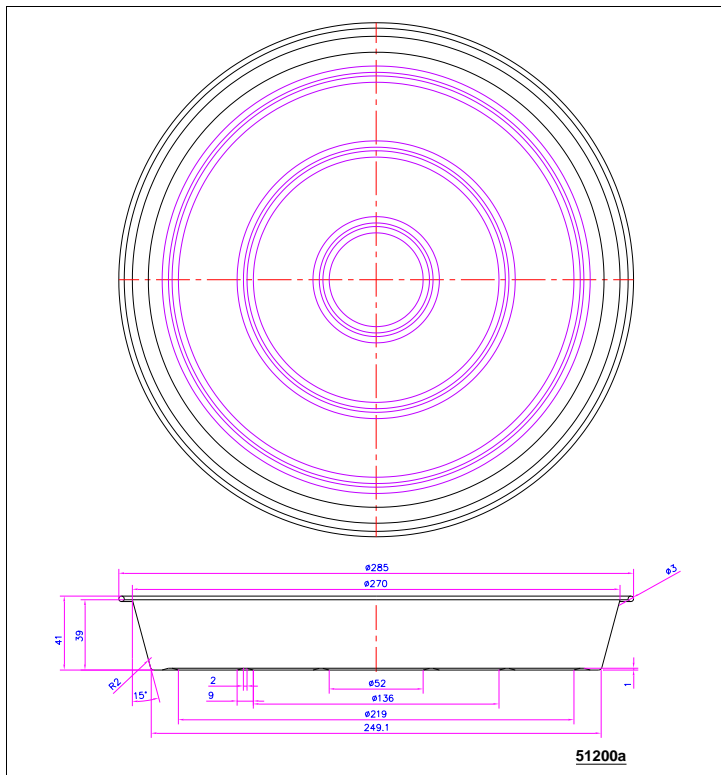
Outside coating:

Temperatures:

Other Features:

Foil thickness (gauge):  (gauge tolerance according to DIN/EN 546-3)

## Product drawing and dimensions



	length/mm	width/mm
top out:	<input type="text" value="285"/>	<input type="text" value="0"/>
top in:	<input type="text" value="270"/>	<input type="text" value="0"/>
base:	<input type="text" value="249"/>	<input type="text" value="0"/>
depth:	<input type="text" value="39"/>	

Shape:	<input type="text" value="ROUND"/>
Total Capacity:	<input type="text" value="ml 2070"/>
Net Weight:	<input type="text" value="(kg/1000) 17,2"/>
EAN-code bag:	<input type="text"/>
EAN-code carton:	<input type="text" value="5410555062630"/>
EAN-code pallet:	<input type="text"/>

## Packing

Pieces per bag:	<input type="text" value="550"/>
Pieces per carton:	<input type="text" value="550"/>
Cartons per pallet:	<input type="text" value="9"/>
Pieces per pallet:	<input type="text" value="4950"/>
Grossweight per carton:	<input type="text" value="kg 10,8"/>
Carton size outside: (lwh)	<input type="text" value="mm 778 383 616"/>
Height incl. pallet:	<input type="text" value="cm 200"/>
Weight per pallet:	<input type="text" value="kg 97,3"/>
Cartons per layer:	<input type="text" value="3"/>
Layers per pallet:	<input type="text" value="3"/>
Perforation:	<input type="text"/>

## Special Remarks:

Subject to change without prior notice.

QUALITY IN ALL ASPECTS